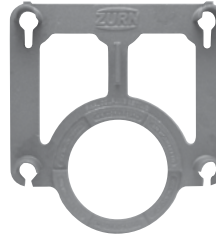


Z1203-N ADJUSTABLE HORIZONTAL SIPHON JET – NO-HUB SERIES

Product Number	Dimensions in inches [mm]				Approximate Weight lb [kg]
	A	B	K	N	
Z1203-NL3	3 [76]	14 [356]	6-1/8 [156]	7-7/16 [189]	64 [29]
Z1203-NR3				11-1/4 [286]	114 [52]
Z1203-ND3				8-7/8 [225]	67 [30]
Z1203-NL4	4 [102]	14 [356]	6-1/8 [156]	13-3/8 [340]	120 [54]
Z1203-NR4					
Z1203-ND4					

PREFIXES	DESCRIPTION	SINGLE	DOUBLE
Z1203*	D.C.C.I. System with 4" Adjustable Coupling	Combine with Fitting Type for Pricing	
ZQ1203	D.C.C.I. System with NPT Faceplate Non-Adjustable Coupling		
FITTING TYPE			
-NR3	3" No-Hub Right-Hand Inlet with Flow to Left	1,448.00	-
-NL3	3" No-Hub Left-Hand Inlet with Flow to Right	1,448.00	-
-ND3	3" No-Hub Back-to-Back Inlet (Double)	-	2,671.00
-NR4	4" No-Hub Right-Hand Inlet with Flow to Left	1,584.00	-
-NL4	4" No-Hub Left-Hand Inlet with Flow to Right	1,584.00	-
-ND4	4" No-Hub Back-to-Back Inlet (Double)	-	2,965.00
SUFFIXES		ADD	
-A	Auxiliary Support Assembly (Required For P-Dim. Greater than 18")	861.00	1,720.00
-B	Blowout Type Fixture Support	N/C	N/C
-CC	Corrosion Resistant Cast Iron Coupling (6" to 12")	N/C	N/C
-CL	Coupling Length Greater than 12" Per Inch (Specify Length Required)	102.00	203.00
-JC	2" Auxiliary Inlet with Sanitary Sweep on Faceplate Centerline	365.00	-
-M	Auxiliary Foot Support (Required For P-Dim. 10" - 18")	324.00	645.00
Ⓢ -PF	Pre-Fab Foot	N/C	N/C
Ⓢ -PS	Pre-Fab Slotted Foot	N/C	N/C
Ⓢ -RYK	Unistrut Pre-Fab Foot	N/C	N/C
-VP	Vandal-Proof Trim	137.00	270.00
-X3	3" Foot Extension Assembly	90.00	176.00
-X4	4" Foot Extension Assembly	115.00	227.00
Ⓢ -45	Finishing Frame for Siphon Jet System (For Blowout System specify -45-B)	84.00	167.00
Ⓢ -50	Flush Valve Supply Support for Water Closet (Previously Z1210-50)	90.00	176.00
		DEDUCT	
-F	Floor Mounted, Back Outlet Fixture Support	-158.00	-315.00
BEST SELLERS		LIST PRICE	
Z1203-ND4		2,965.00	
Z1203-ND4-45		3,132.00	
Z1203-ND4-45-50		3,308.00	
Z1203-ND4-CL=12		2,965.00	
Z1203-ND4-PF		2,965.00	
Z1203-NL4-45		1,668.00	
Z1203-NL4-CL=12		1,584.00	
Z1203-NL4-PF		1,584.00	
Z1203-NR3		1,448.00	
Z1203-NR4		1,584.00	
Z1203-NR4-CL=12		1,584.00	



Ⓢ Z1200-RI-GAUGE



Z1200-CPLGWRNCH-4

Items designated as Best Sellers are most specified and are generally in stock for shipment.
 Ⓢ This symbol denotes a product that is engineered to reduce installation and rework time.
 For Additional System Tools See "Z1200 Carrier Tools and Accessories" on page 214

*Regularly furnished unless otherwise specified.
 For additional product information, please visit www.zurn.com

INTRO
 ROOF DRAINS
 FLOOR DRAINS
 T, P, BW VALVES
 INTERCEPTORS
 CARRIERS
 HYDRANTS
 CLEANOUTS
 W/HA
 SS DRAINS
 FAB SS DRAINS
 SAN-FLOOR
 TECH INFO

Z1203-N ADJUSTABLE HORIZONTAL SIPHON JET – NO-HUB SERIES

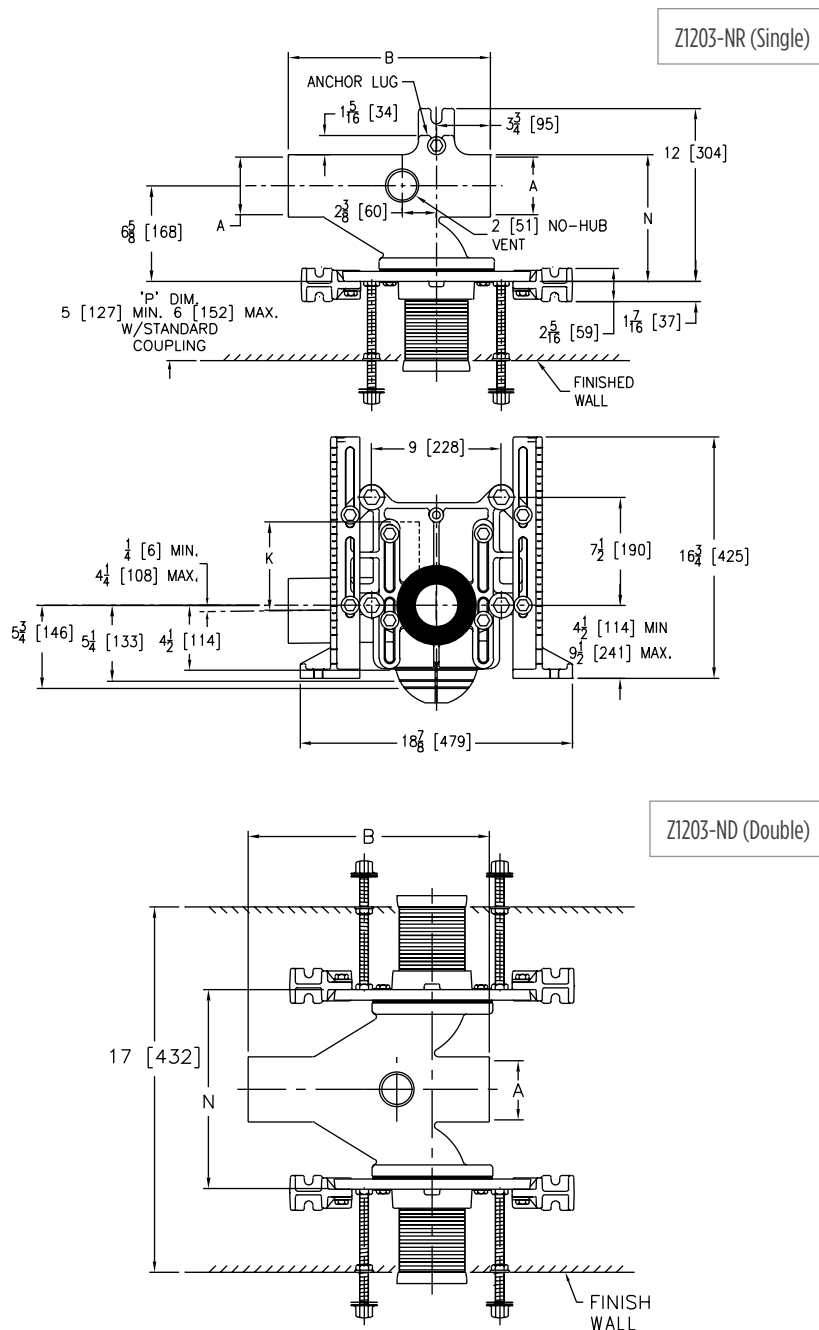


ENGINEERING SPECIFICATION

Zurn Z1203-N() adjustable, horizontal siphon jet water closet provides a rigid system with () size no-hub connections. Comes complete with Dura-Coated cast iron right-hand, left-hand, or double main fitting, 2" vent adjustable gasketed faceplate, universal floor mounted foot supports, corrosion resistant adjustable polymer icoupling with integral test cap, fixture bolts, trim, and stud protectors. Includes rear anchor tie down and bonded Neo-Seal gasket.

NOTES

1. Minimum "P" dimension attainable = 2".
2. Feet anchored to floor using minimum 1/2" diameter bolts through rear slots on carrier feet.
3. Rear anchor foot required for secure installation.
4. When used with Z1204 vertical fitting, and the centerline of the fitting to the finished wall exceeds 11-3/4", a 7" or longer, coupling is needed.



*Regularly furnished unless otherwise specified.

For additional product information, please visit www.zurn.com

Items designated as Best Sellers are most specified and are generally in stock for shipment.

Ⓞ This symbol denotes a product that is engineered to reduce installation and rework time.

For Additional System Tools See "Z1200 Carrier Tools and Accessories" on page 214